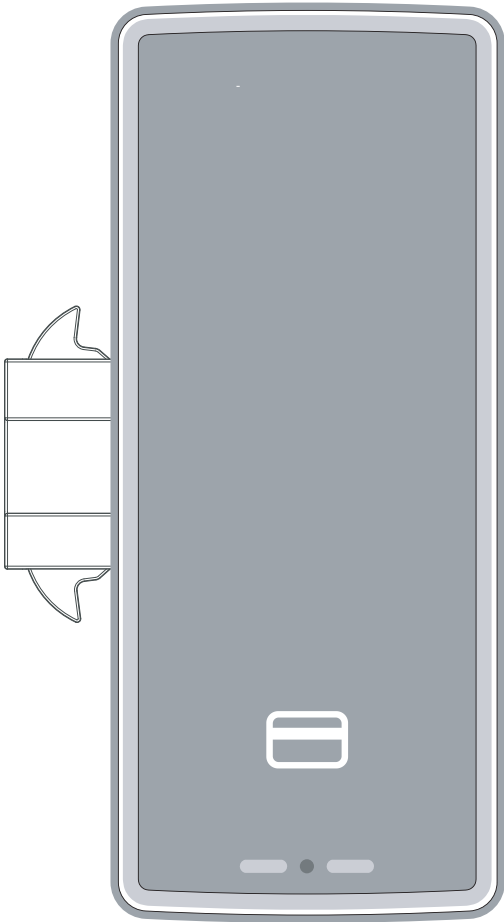


**Model : SK 800**

**SPECIFICATION**



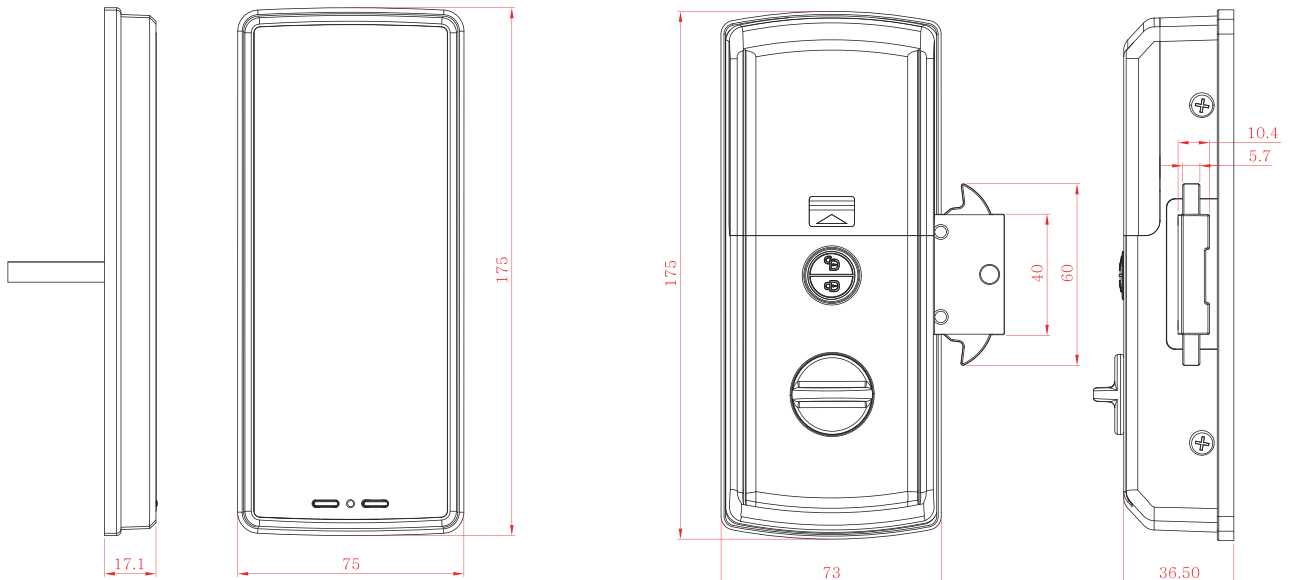
**Touch Lock**

## 1. SPECIFICATION



<b>Applications</b>	For sliding door
<b>Material</b>	Zinc / Alum. Alloy ( Chrome Plating ) , ABS
<b>RF Tag</b>	ISO14443 A Mifare(1K) 13,56MHz Supported
<b>Battery</b>	DC 6V AA x 4 pcs ( Approx. 12 months ) ,10 Opens / day
<b>Operating Humidity</b>	20% ~ 90% RH
<b>Operating Temp</b>	-15°C ~ +60°C
<b>Recording</b>	Max 30ea history Saving and Downloadable
<b>Door Thickness</b>	25mm ~ 50mm ( Extendable )
<b>Options</b>	Fingerprint, Metal Key, Remote Control Receiver

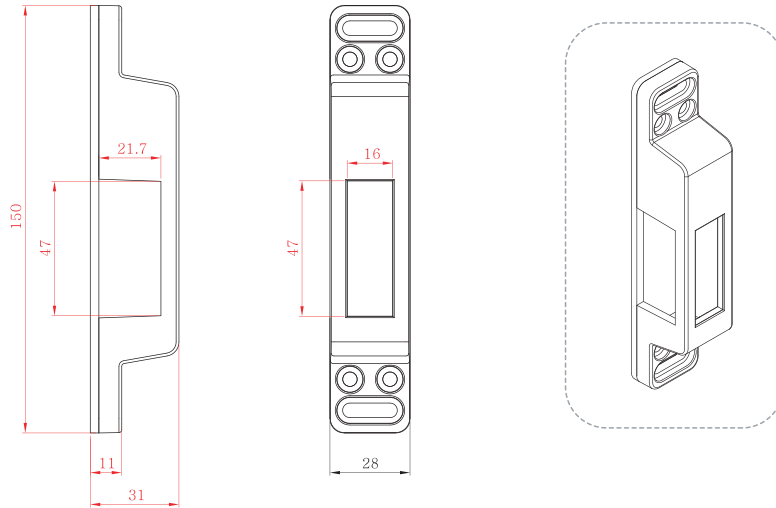
## 2. DIMENSIONS



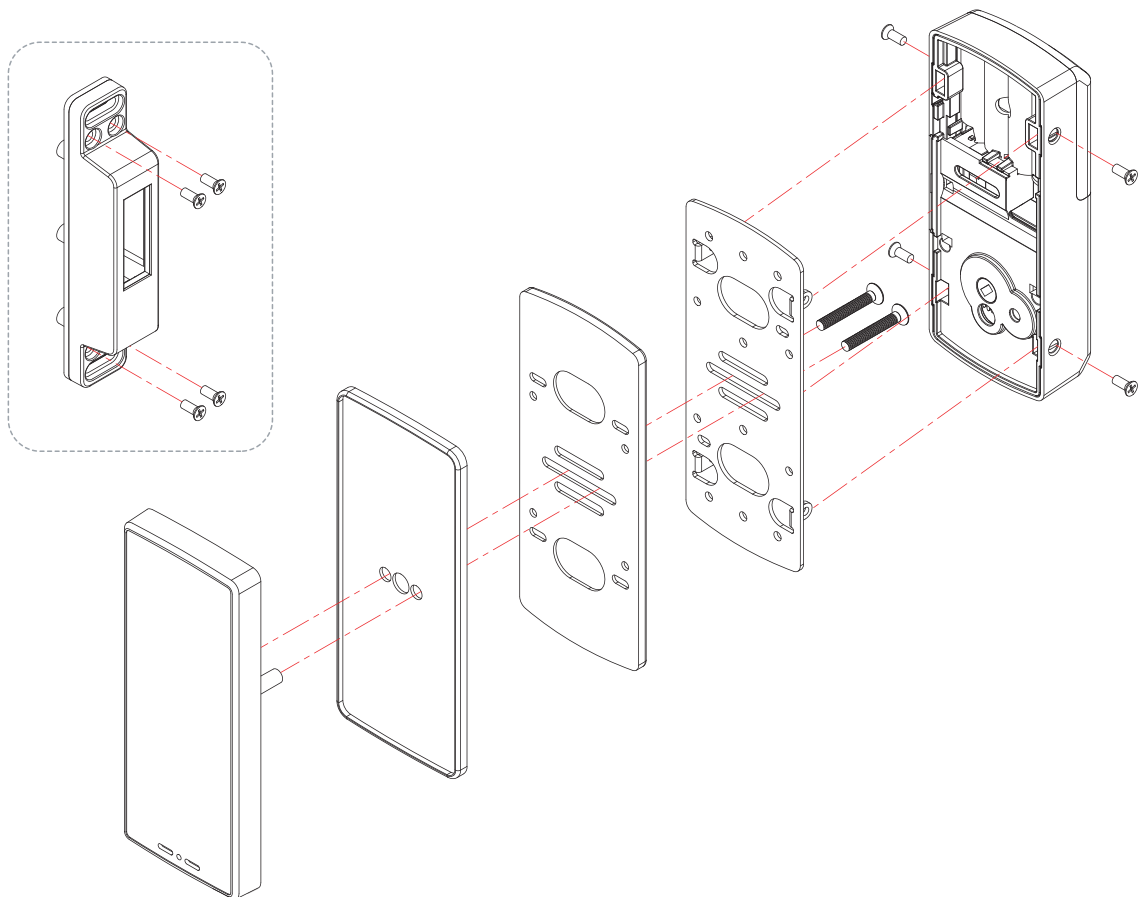
**Outbody** (75 x 175 x 17.8)

**Inbody** (73 x 175 x 35.8)

## 4. STRIKER SIZE



## 5. INSTALLATION



## 6. TEMPLATE

