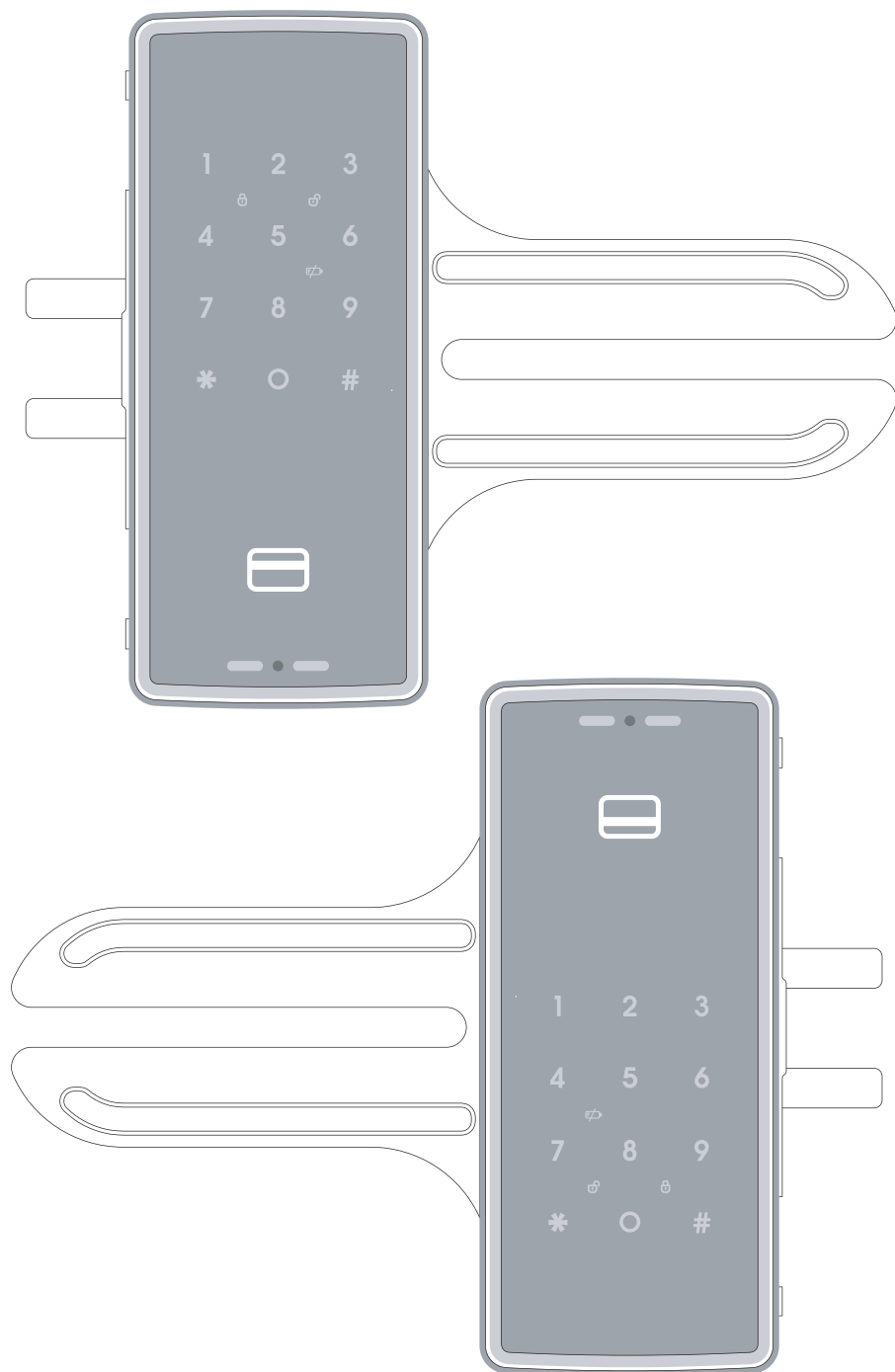


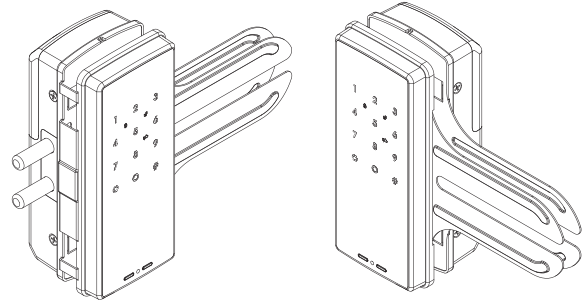
# GLASS DOOR LOCK SK707

## SPECIFICATION



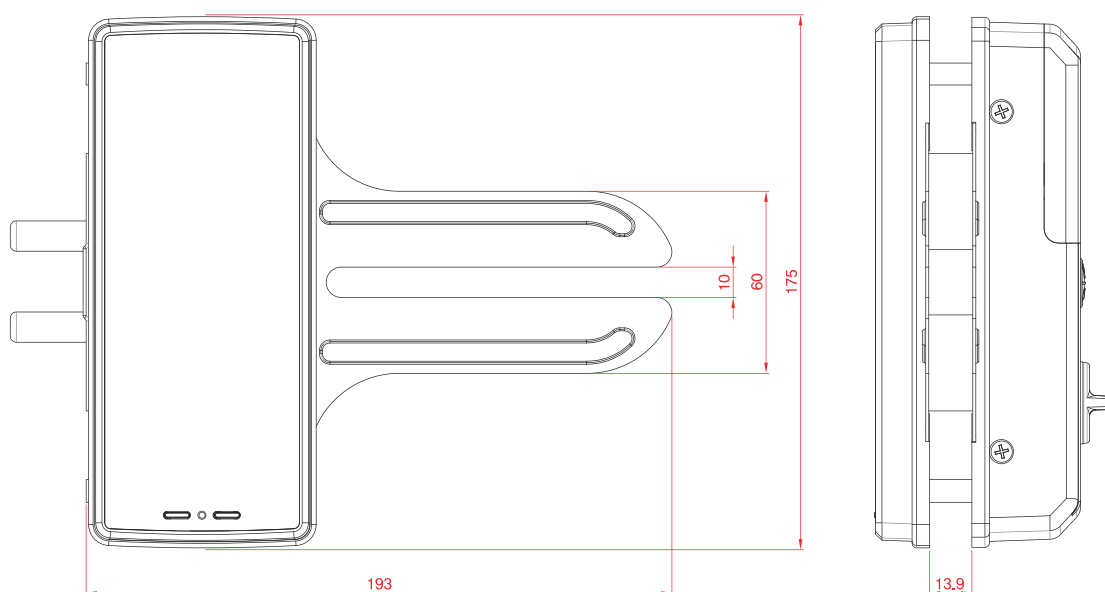
Touch Lock

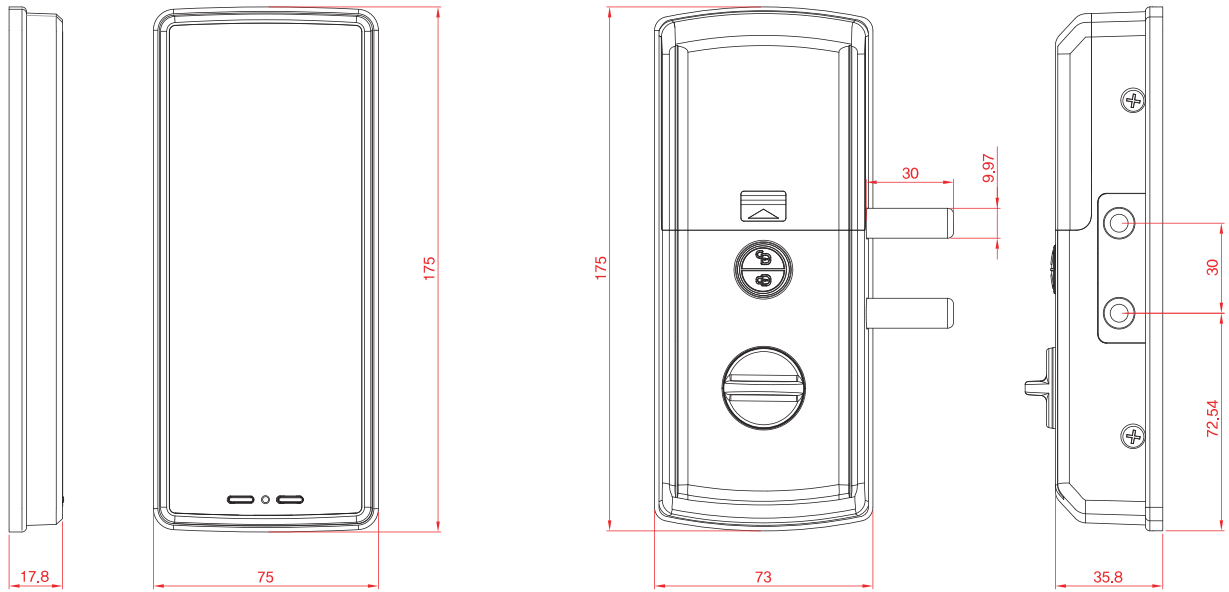
## 1. SPECIFICATION



<b>Applications</b>	For Glass Doors, Shops, Offices
<b>Material</b>	Zinc / Alum. Alloy ( Chrome Plating ) , ABS
<b>RF Tag</b>	ISO14443 A Mifare(1K) 13.56MHz Supported
<b>Battery</b>	DC 6V AA x 4 pcs ( Approx. 12 months ) ,10 Opens / day
<b>Operating Humidity</b>	20% ~ 90% RH
<b>Operating Temp</b>	-15°C ~ +60°C
<b>Recording</b>	Max 30ea history Saving and Downloadable
<b>Door Thickness</b>	Over 12mm ( custom - made )
<b>Options</b>	Fingerprint, Metal Key, Remote Control Receiver

## 2. DIMENSIONS

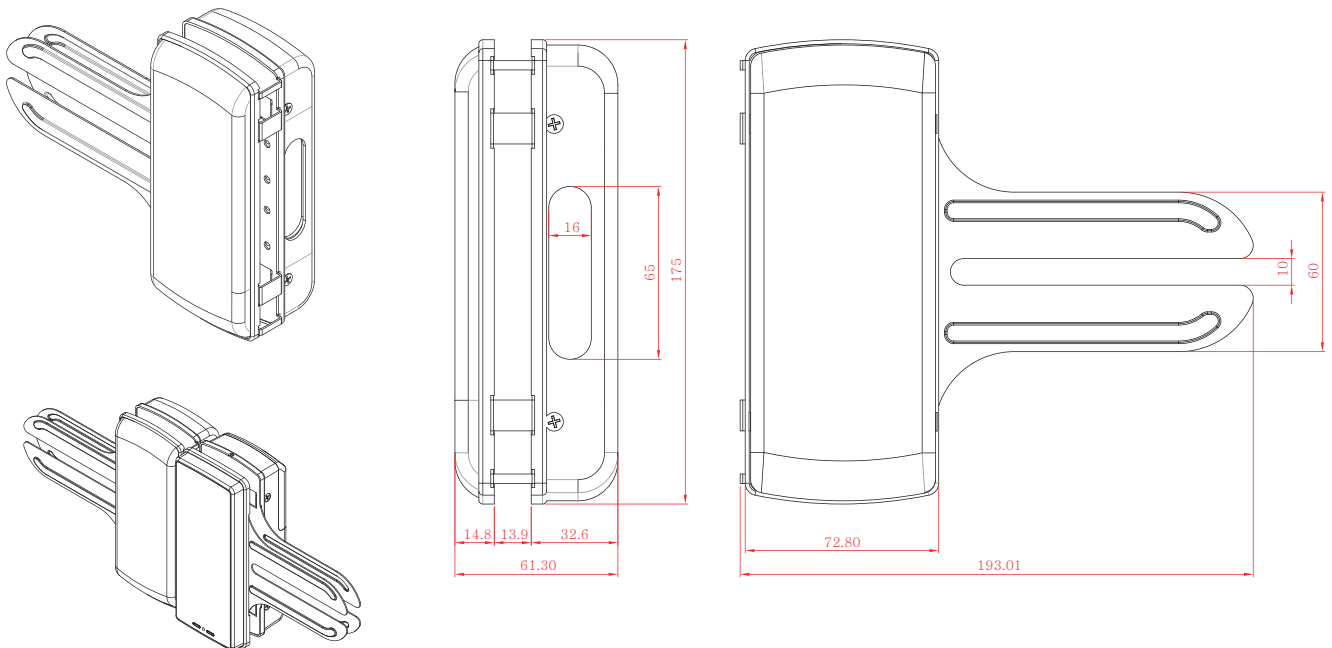




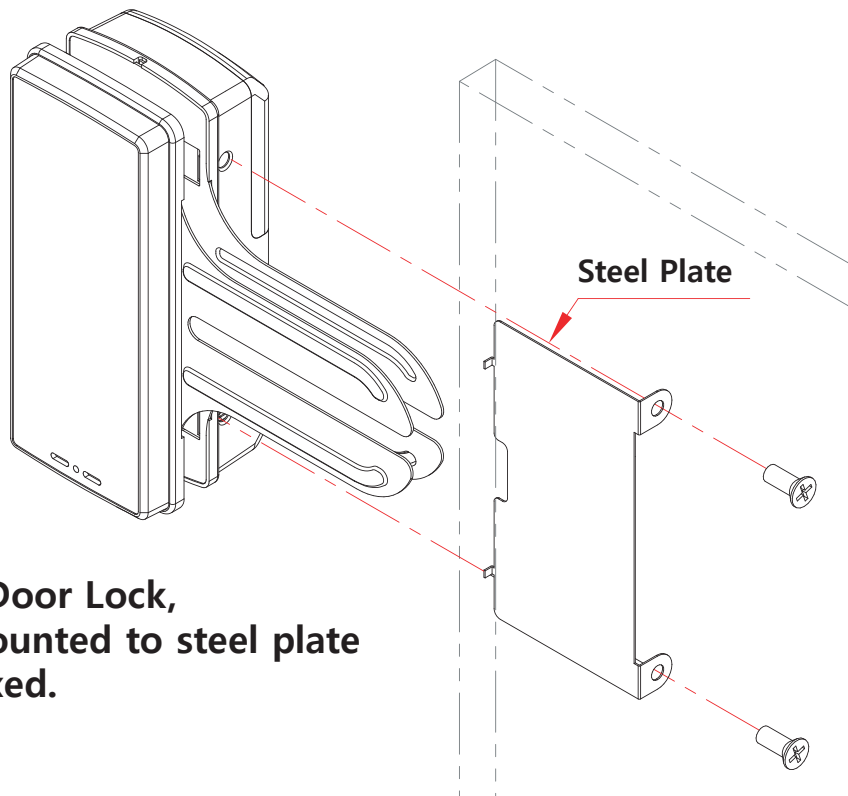
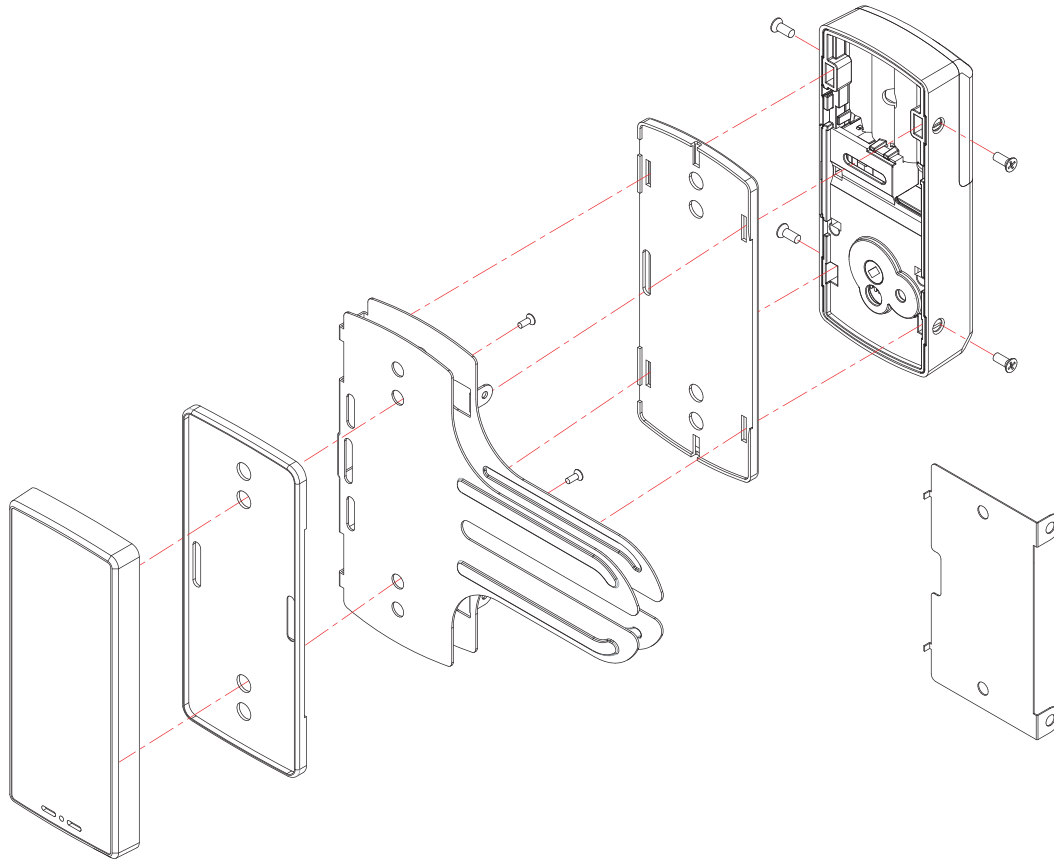
**Outbody (75 x 175 x 17.8)**

**Inbody (73 x 175 x 35.8)**

### 3. HOLDER DIMENSIONS For Double Wing Door



## 4. INSTALLATION



**In case of Clip type Door Lock,  
Inbody should be mounted to steel plate  
after steel plate is fixed.**