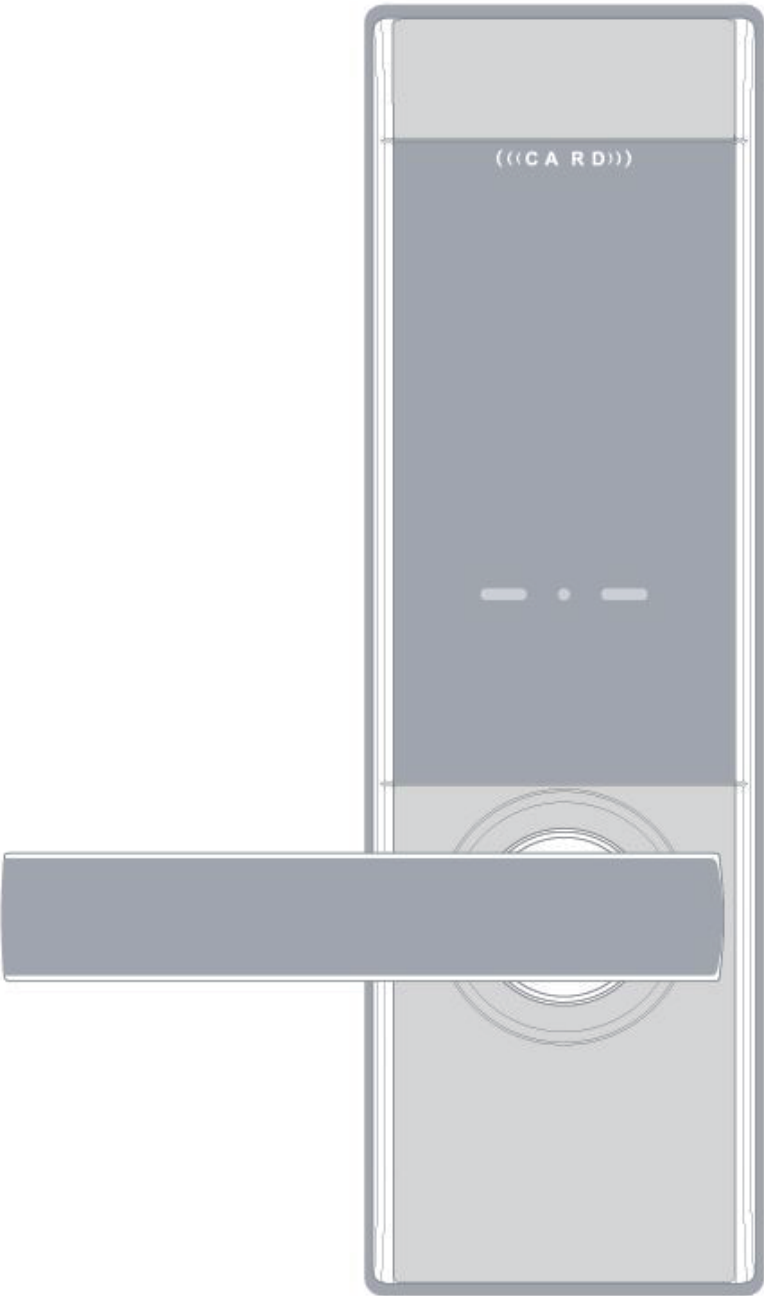


Model **K3**

SPECIFICATION



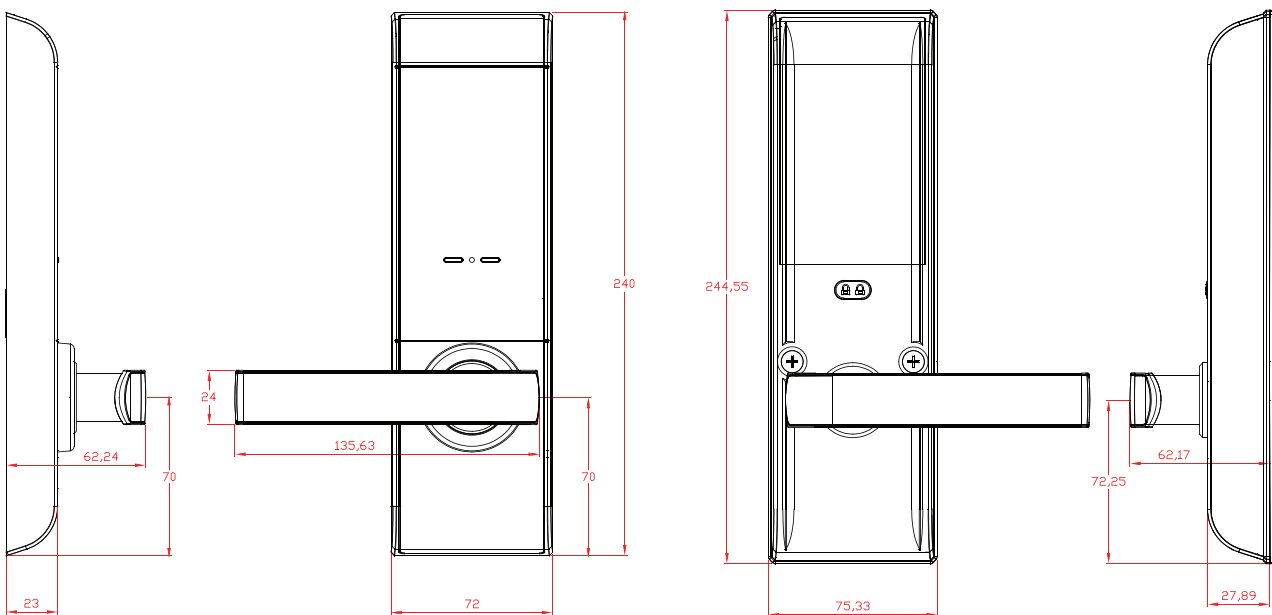
Touch Lock

1. SPECIFICATION



Applications	Hotel, Resort, Condominium, Apartment, Dormitory, Guest House
Material	Zinc / Alum. Alloy (Chrome Plating) , ABS
Mortise	Latch mortise (To be customized for your local requirements or doors)
RF Tag	ISO14443 A Mifare(1K) 13.56MHz Supported
Battery	DC 6V AA x 4 pcs (Approx. 12 months) ,10 Opens / day
Operating Humidity	20% ~ 90% RH
Operating Temp	-15°C ~ +60°C
Recording	Max 30ea history Saving and Downloadable
Door Thickness	25mm ~ 50mm (Extendable)
Options	Metal Key, Remote Control Receiver

2. DIMENSIONS

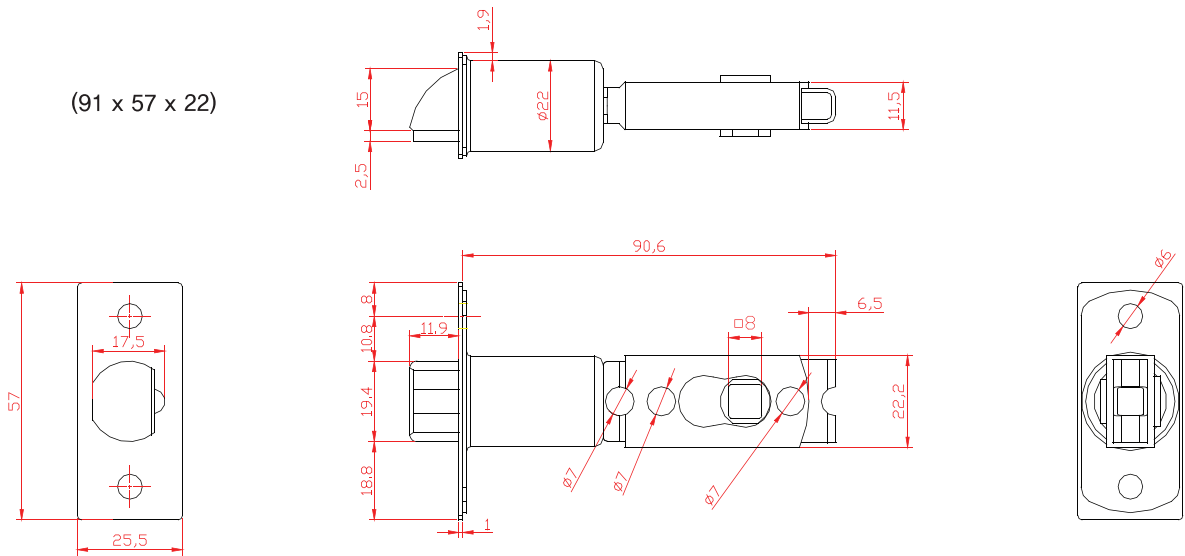


Outbody (72 x 240 x 23)

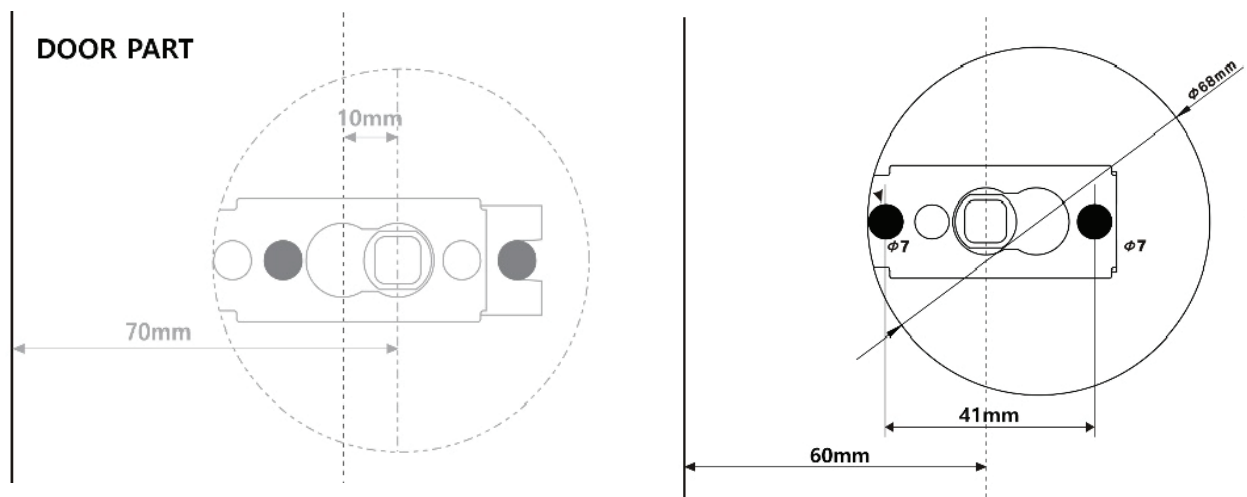
Inbody (76 x 245 x 28)

3. LATCH SIZE

(91 x 57 x 22)



4. HOLE- MAKING SPECIFICATION



5. INSTALLATION

