

# Model K33

## SPECIFICATION



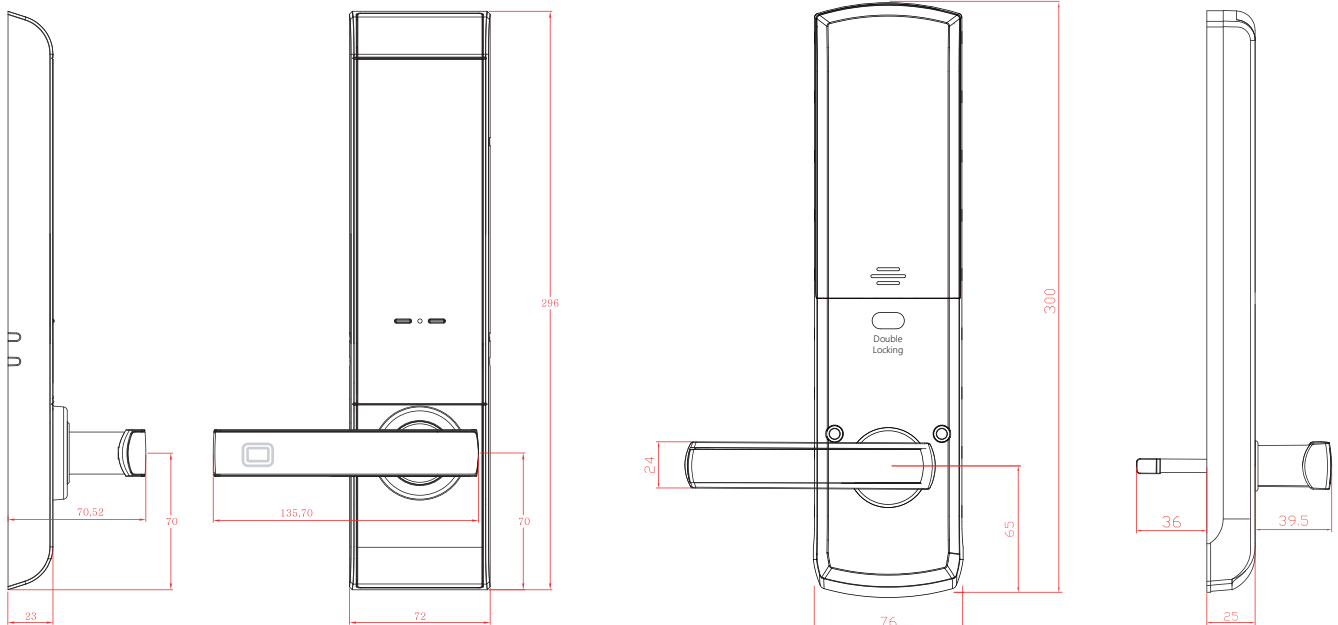
# Touch Lock

## 1. SPECIFICATION



<b>Applications</b>	Hotel, Resort, Condominium, Apartment, Dormitory, Guest House
<b>Material</b>	Zinc / Alum. Alloy ( Chrome Plating ) , ABS
<b>Mortise</b>	Latch or DIN mortise for wooden door ( To be customized for your local requirements or doors )
<b>RF Tag</b>	ISO14443 A Mifare(1K) 13,56MHz <b>Supported</b>
<b>Battery</b>	DC 6V AA x 4 pcs ( Approx. 12 months ) ,10 Opens / day
<b>Operating Humidity</b>	20% ~ 90% RH
<b>Operating Temp</b>	-15°C ~ +60°C
<b>Recording</b>	Max 30ea history Saving and Downloadable
<b>Door Thickness</b>	25mm ~ 50mm ( Extendable )
<b>Options</b>	Metal Key, Remote Control Receiver

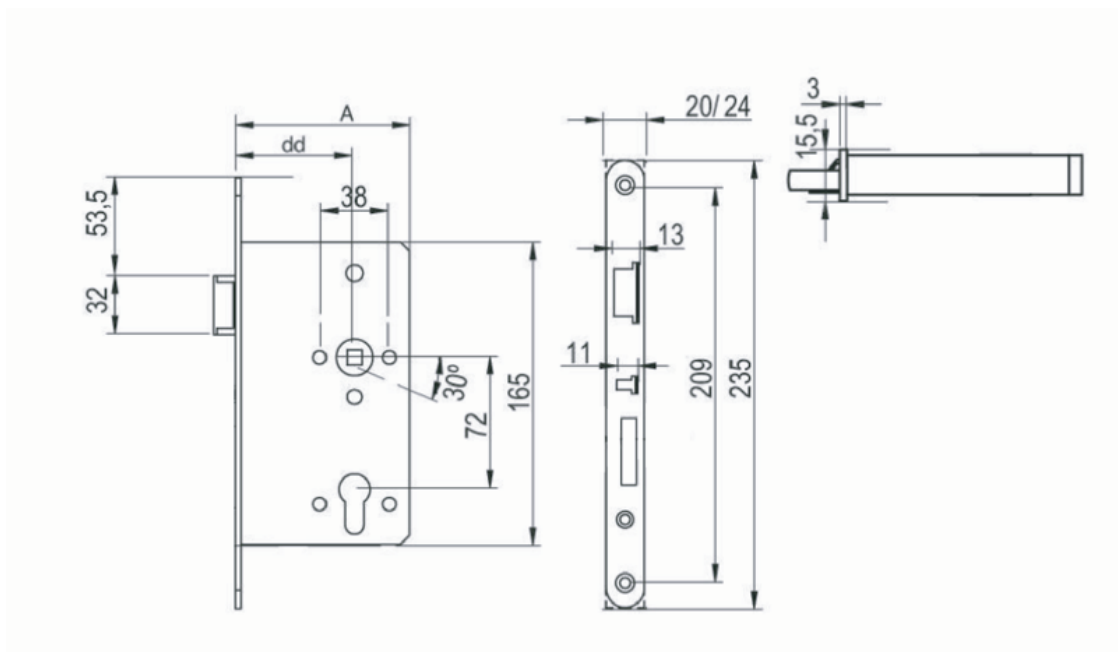
## 2. DIMENSIONS



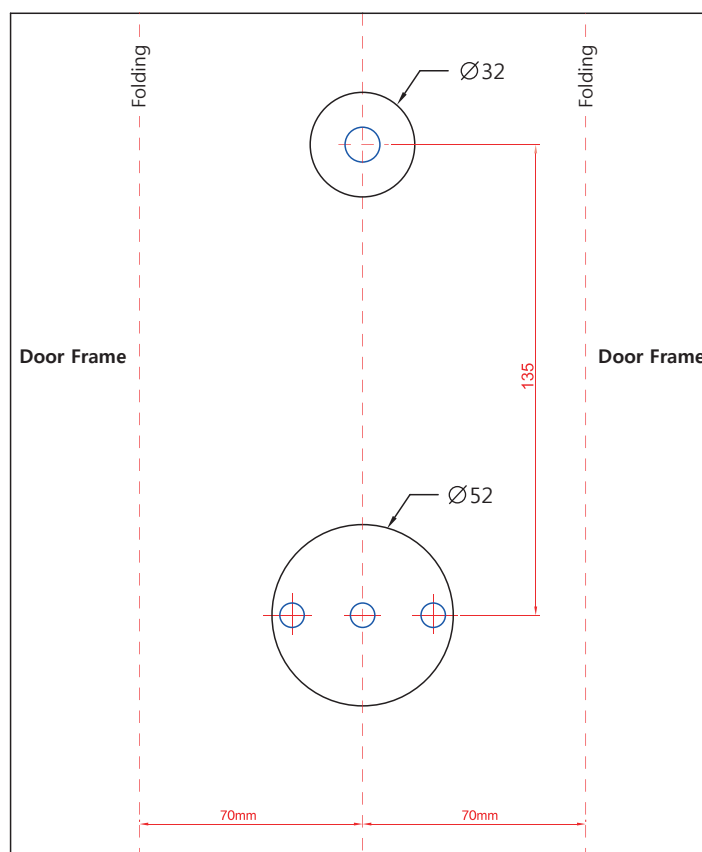
**Outbody** (76 x 300 x 25)

**Inbody** (76 x 300 x 25)

### 3. DIN mortise (European Mortise Lock)



### 4. HOLE-MAKING SPECIFICATION



## 5. INSTALLATION

