

Model KF33

SPECIFICATION



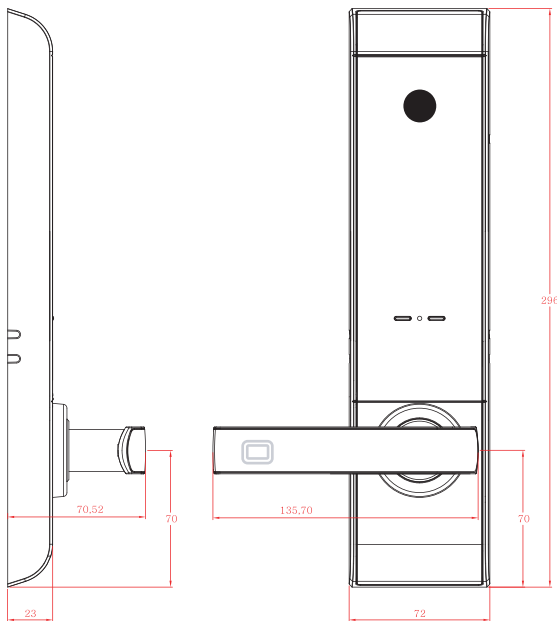
Touch Lock

1. SPECIFICATION

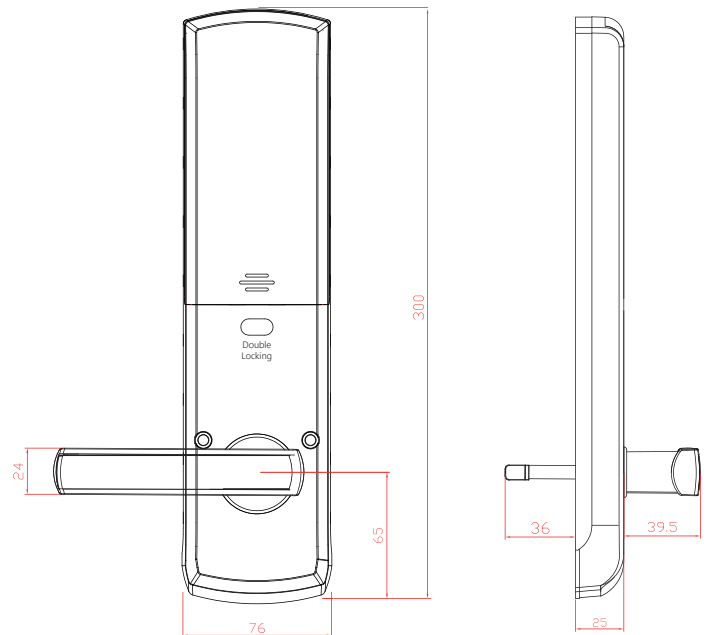


| | |
|----------------------------|--|
| Applications | Hotel, Resort, Condominium, Apartment, Dormitory, Guest House |
| Material | Zinc / Alum. Alloy (Chrome Plating) , ABS |
| Mortise | Latch or DIN mortise for wooden door (To be customized for your local requirements or doors) |
| RF Tag, Fingerprint | ISO14443 A Mifare(1K) 13.56 MHz & Fingerprint |
| Battery | DC 6V AA x 4 pcs (Approx. 12 months) ,10 Opens / day |
| Operating Humidity | 20% ~ 90% RH |
| Operating Temp | -15°C ~ +60°C |
| Recording | Max 30ea history Saving and Downloadable |
| Door Thickness | 25mm ~ 50mm (Extendable) |
| Options | Metal Key, Remote Control Receiver |

2. DIMENSIONS

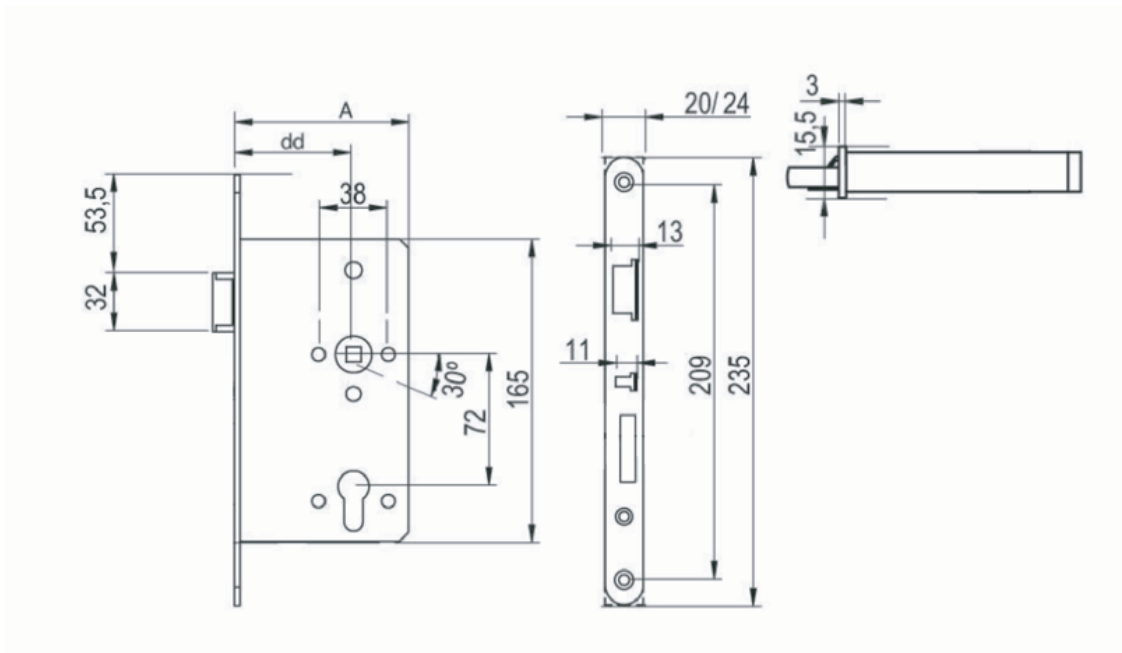


Outbody (76 x 300 x 25)

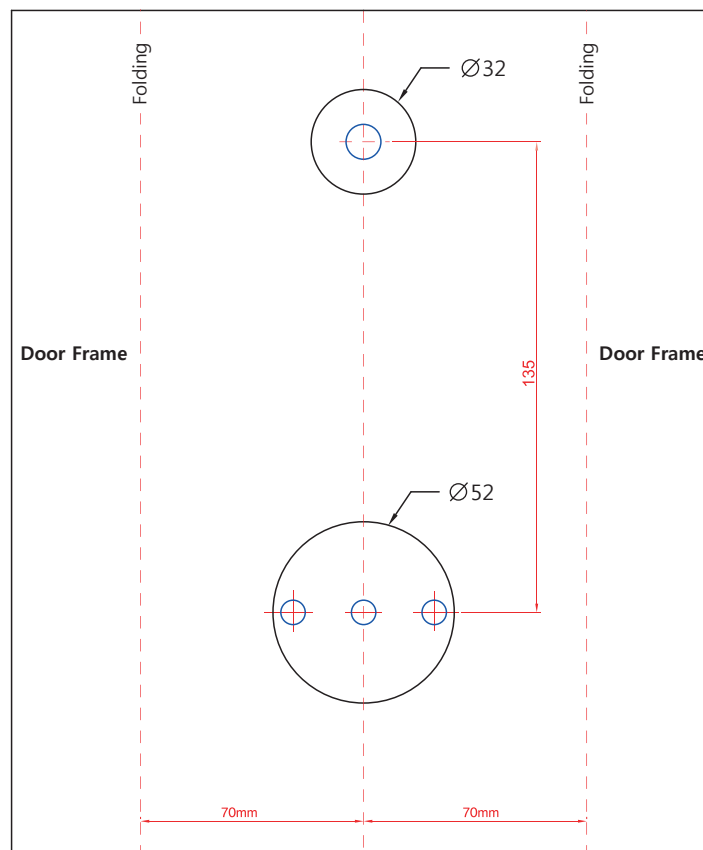


Inbody (76 x 300 x 25)

3. DIN mortise (European Mortise Lock)



4. HOLE-MAKING SPECIFICATION



5. INSTALLATION

