

Model KF77
SPECIFICATION



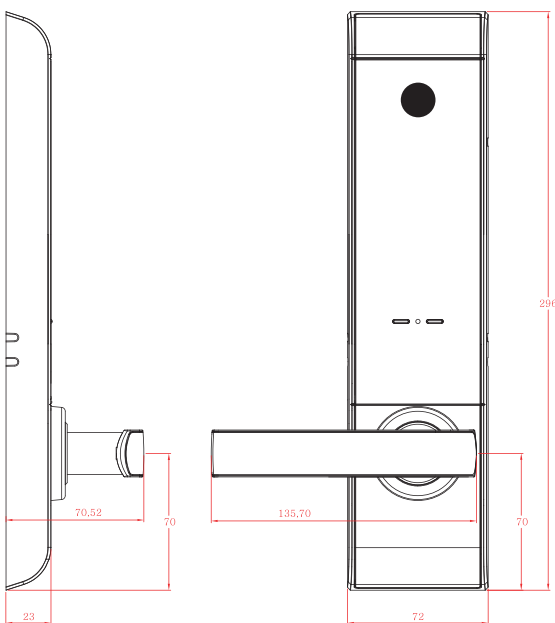
Touch Lock

1. SPECIFICATION

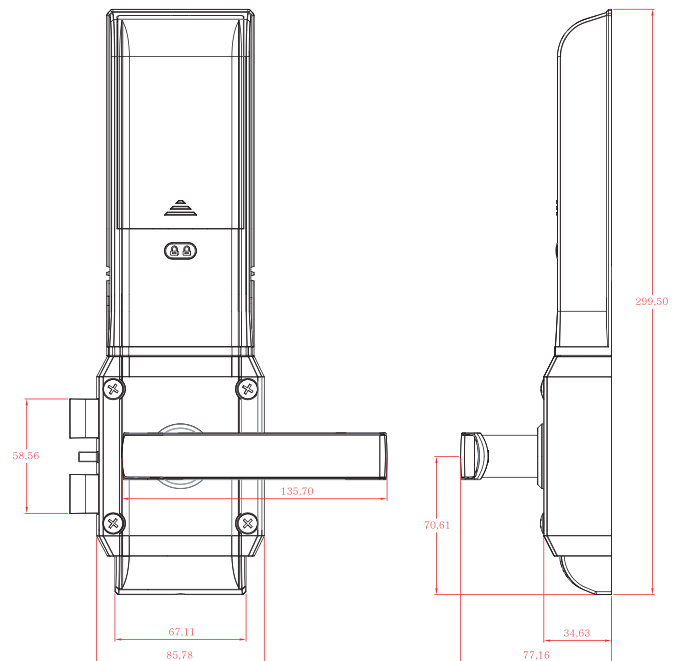


Applications	Hotel, Resort, Condominium, Apartment, Dormitory, Guest House
Material	Zinc / Alum. Alloy (Chrome Plating) , ABS
Mortise	Steel or Die-casting Mortise
RF Tag, Fingerprint	ISO14443 A Mifare(1K) 13,56 MHz & Fingerprint
Battery	DC 6V AA x 4 pcs (Approx. 12 months) ,10 Opens / day
Operating Humidity	20% ~ 90% RH
Operating Temp	-15°C ~ +60°C
Recording	Max 30ea history Saving and Downloadable
Door Thickness	25mm ~ 50mm (Extendable)
Options	Metal Key, Remote Control Receiver

2. DIMENSIONS



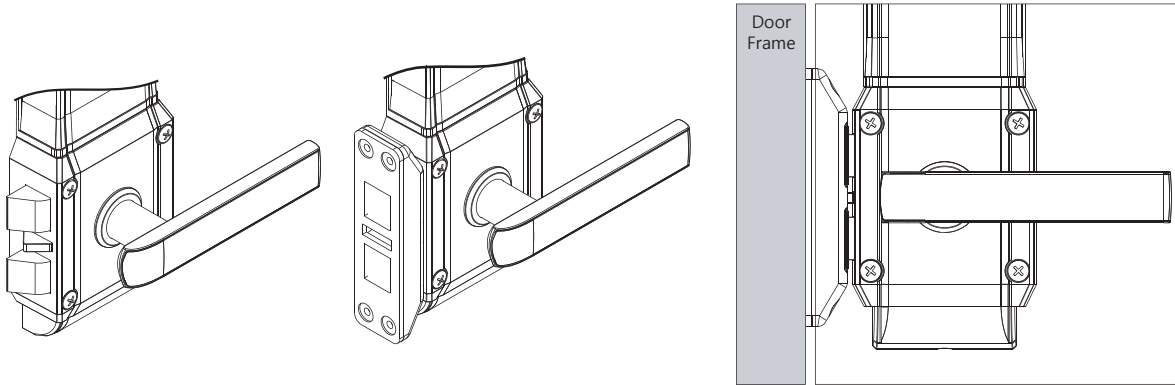
Outbody (74 x 300 x 25)



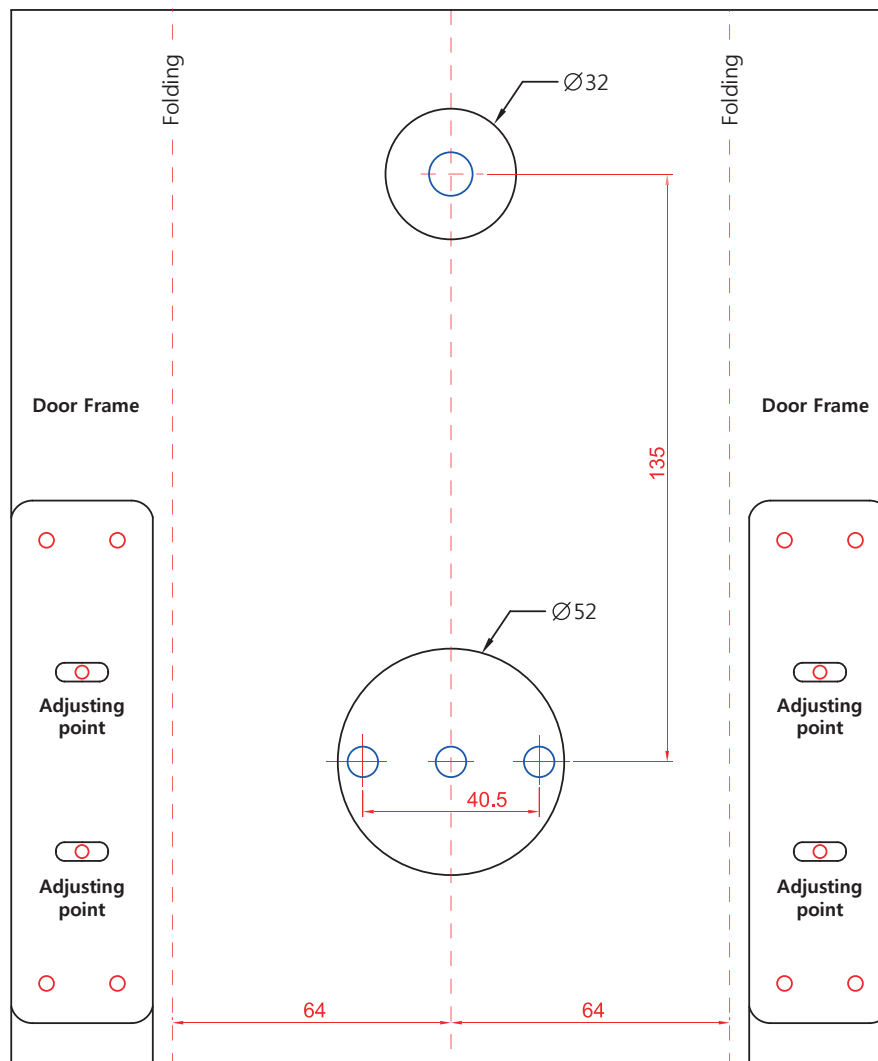
Inbody (86 x 300 x 35)

3. LATCH BUILT-IN INBODY

K77 is a digital door lock with latch built-in Inbody, which can be fit/Installed to any door.



4. HOLE-MAKING SPECIFICATION



5. INSTALLATION

